

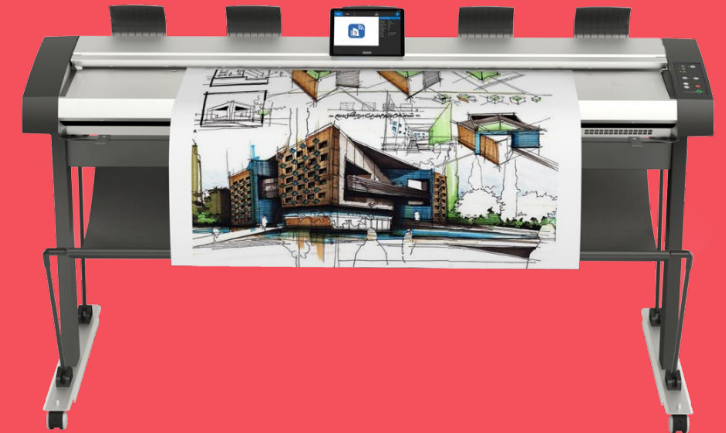


The elevator pitch

Key benefits to memorise about each scanner

The pitch – HD Ultra X

- The widest and fastest large format scanner ever. Optimal productivity.
- Does not compromise on scan quality and reliability.
- A flexible product that adapts seamlessly into any existing workflow and improves it.
- Compliant with today's global environmental standards.



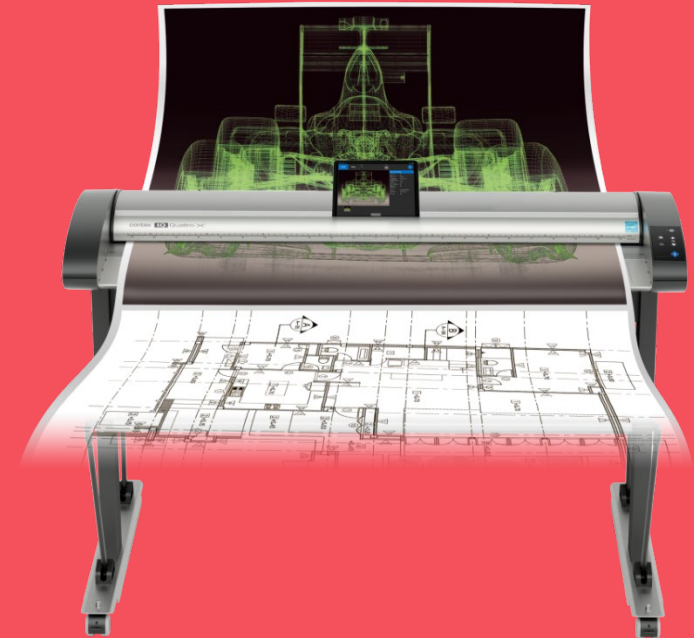
The pitch: ScanStationPro

- ScanStationPro will improve your productivity by 30%
- ScanStationPro solutions contain everything you need and have the best ROI in the market
- Use ScanStationPro to secure legacy information and protect it from flooding, fire or other environment damage
- Create a professional MFP solution with unlimited printers



The pitch: IQ Quattro X

- Faster in color than any other wide format scanner
- Smarter with Cloud services and GB Ethernet sharing
- Better with optimal quality and ease of use
- Unique technology ensures market leading performance and quality



The pitch: Nextimage

- Nextimage is a highly awarded wide format scanning and copying software
- It has a strong feature set in a user friendly design that will make any scanning task fast, easy and accurate
- The best software available uniquely designed to make the best of your Contex scanner



The pitch: HD Apeiron/42

- Unparalleled compliance:
 - FADGI**** (four stars)
 - ISO 19264-1 (for cultural heritage material)
- Produces CRI above 98 with X-Rite® Color Management
- Unique 3D effect with movable lights and daylight spectrum set a new standard for lifelike results
- Use HD Apeiron/42 to conserve art or make better reproductions

