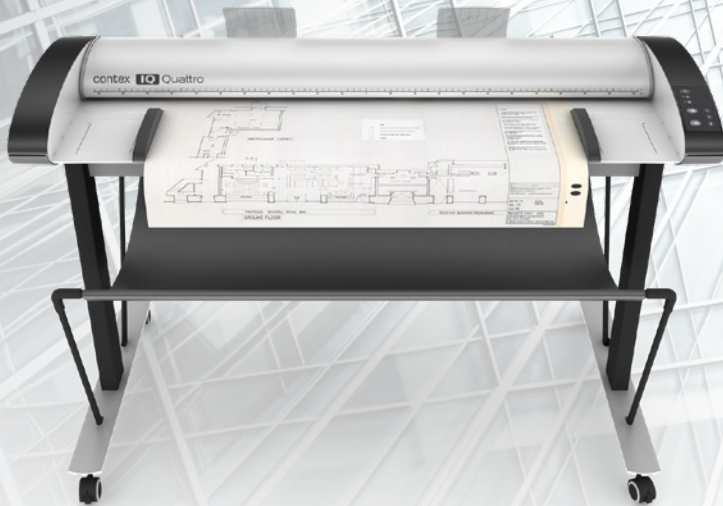


IQ Quattro

24" 36" 44"

**FAST, CRISP, AND
SHARP SCANS OF
LARGE FORMAT
DOCUMENTS**



MORE PRECISION IN EVERY PIXEL

IQ Quattro captures every detail because of its advanced 48-bit CIS technology passing the best 24-bits to the file at up to 1200 dpi optical resolution.

Faster: Spend less time scanning and instead focus on what matters to you.

Better: Shadows and unwanted background are suppressed leaving you with crisp, sharp and natural scans – ready to be used in your continued workflow.

Unique technology: With Contex CleanScan CIS modules, superfast Ethernet and award-winning Nextimage software, Contex IQ Quattro is the leading scanner for technical projects.

High productivity

Designed for the most demanding high-production environments.

Green

Energy Star® compliant using only 0.5 W in standby mode.

Compatible

Compatible with AutoCAD®, ESRI® and many other software applications.

Adjustable

Adaptable floor stands for stand-alone and MFP configurations.

Printer drivers

Copy and print to HP, Canon, Epson and Océ printers. See the full list at contex.com/nextimage-supported-printers.

SCAN FASTER IN GREATER DETAIL

SEE MORE: contex.com/iqqattro

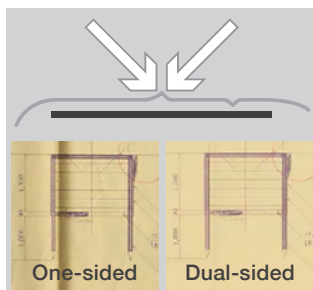
 **contex**
WHEN IMAGING MATTERS

	IQ QUATTRO 2490	IQ QUATTRO 3650	IQ QUATTRO 3690	IQ QUATTRO 4450	IQ QUATTRO 4490
Scanning Speed¹ (inch/sec.) while scanning 36-inch wide document					
200 dpi RGB color	14	7	14	7	14
Upgradable to 14 inch/sec color	Included	Upgradeable	Included	Upgradeable	Included
200 dpi grayscale/monochrome	14	14	14	14	14
Maximum scan width	24 inch (610 mm)	36 inch (914 mm)	36 inch (914 mm)	44 inch (1118 mm)	44 inch (1118 mm)
Maximum media width	26.6 inch (676 mm)	38 inch (965 mm)	38 inch (965 mm)	47 inch (1194 mm)	47 inch (1194 mm)
Working height ²	32.8/33.8/34.8 inches (834/859/884 mm)				
Optical resolution	1200 dpi				
Maximum resolution	9600 dpi				
Total number of pixels	64800 pixels				
CIS technology ³	Contex CleanScan				
Contex SIGMA ⁴	Included				
Contex CFR ⁵	Included				
Maximum media thickness	0.08 inch (2 mm) flexible documents only				
Accuracy	0.1% +/-1 pixel				
Data capture (color/mono)	48-bit / 16-bit				
Color space	Adobe RGB, Device RGB, RAW RGB, sRGB				
USB with xDTR	Included				
Gigabit Ethernet with xDTR2	Included				
Cloud enabled	Yes				
Network workflow	Push-pull				
Energy Star [®] certified	Included				
Software ⁶	AutoCAD [®] , Microstation [™] , ArcGIS [™] and all other CAD, GIS and other image editing/storage applications				
File formats ⁷	TIF, JPG, PDF, PDF/A, DWF, CALS, BMP, JPEG-2000(JP2), JPEG2000 Extended(JPX), TIF-G3, TIF-G4, others				
Device drivers	Windows 10 and Windows 8.1, 64-bit				
Nextimage TWAIN	64-bit TWAIN application driver included for use with EDM and other imaging software				
Power consumption	Ready: 10W. Sleep mode: 0.5W. Scanning: 18W				
Power requirements	100-240V, 60/50Hz, 18W				
Weight and dimensions	20.3 kg, LxWxH: 45.7x18.9x6.3 inches (1160x480x161 mm)				
Certifications/compliance	CE, cUL, Customs Union, Ukr, VCCI, FCC Class A, RoHS and ENERGY STAR [®] certified				
Country of origin	Designed and engineered in Denmark. Manufactured in China.				
ScanStation PRO				Yes	Yes

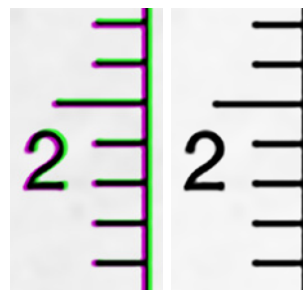
- Scanning speeds depend on document width and computer configuration. Contex recommends Intel Core Duo, Core 2 Duo, or better processors, 2GB RAM, Hi-Speed USB2. Speed tests performed using Nextimage software, PC with Intel Core i5-2500 Quad processor, 8GB RAM, Hi-Speed USB2, 7200rpm HDD.
- Requires optional scanner stand.
- Contex CleanScan technology is based on custom CIS modules with dual-sided LED light and Dual Diffusion.
- Signal Intensity Matching (SIGMA) is a Contex patent. Sensor heating during a scan can cause inhomogeneous images. Thanks to Contex innovative thinking Contex IQ Quattro scanners will minimize sensor differences LIVE during a scan.
- Color Fringe Removal (CFR) is an advanced Contex patented filtering technology designed to remove the fringes inherent in CIS strobing scanning devices.
- Contex applications creates industry standard raster file formats that can be used in any CAD or GIS application.
- Requires optional Nextimage software

All trademarks remain the property of their respective holders, and are used only to directly describe the product being provided. Their use does not indicate a relationship between Contex and the trademark holders.

IQ Quattro gives you fast results combined with excellent image quality



Contex CleanScan CIS
The IQ Quattro Scanners are equipped with Contex CleanScan CIS modules which facilitate optical image quality with dual-sided LED lighting. This eliminates creases and folds in originals normally a challenge for CIS scanners, and thus provides clear, crisp scans every time.



Color fringe removal (CFR) technology
Color Fringe Removal (CFR) is an advanced Contex patented filtering technology designed to remove the fringes inherent in CIS strobing scanning devices.

Contex solutions are compatible with all leading large-format printers. See the full list at contex.com/nextimage-supported-printers



contex.com/iqquattro

Contex HQ & EMEA
Global Scanning Denmark A/S
Copenhagen, Denmark
Phone: +45 4814 1122
info@contex.com

Contex Americas
Global Scanning Americas (MD) Inc.
Chantilly, VA, 20151, USA
Phone: +1 (703) 964 9850
salesamericas@contex.com

Contex Japan & Asia
Global Scanning Japan A/S
Yokohama, Japan
Phone: +81 45 548 8547
apac@contex.com

